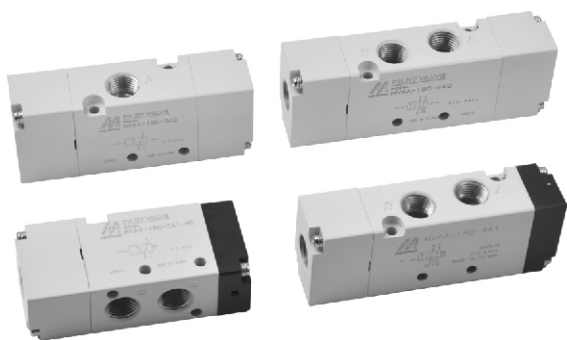


# MVAA-180 series

## PILOT VALVE



### Specification



Model	MVAA-180-3A1,A2	MVAA-180-4A1,A2	
Bore No.	6A		
Port size	Rc1/8		
No. of port	3	5	
Medium	Air		
Operating pressure range	0.15~0.8 MPa		
Proof pressure	1 MPa		
Effective orifice	12 mm <sup>2</sup>		
Pilot pressure range	(0.45 × P <sup>0</sup> + 0.1)~0.8 MPa		
Ambient temperature	-5~+60℃ (No freezing)		
Weight	61 g	74 g	84 g

※ P: Operating pressure.

### Order example

MVAA - 180 - 4A2 - NC - G

MODEL

BODY WIDTH

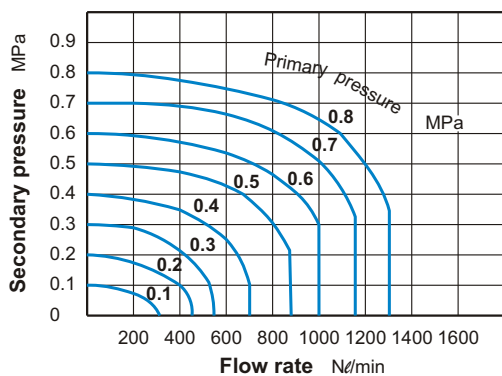
3: 3way  
4: 4way

A1: Single pilot  
A2: Double pilot

NC: Normally closed  
NO: Normally open  
(Only for 3A1 type)

PORT THREAD  
Blank: Rc thread  
G: G thread  
NPT: NPT thread

### Flow features

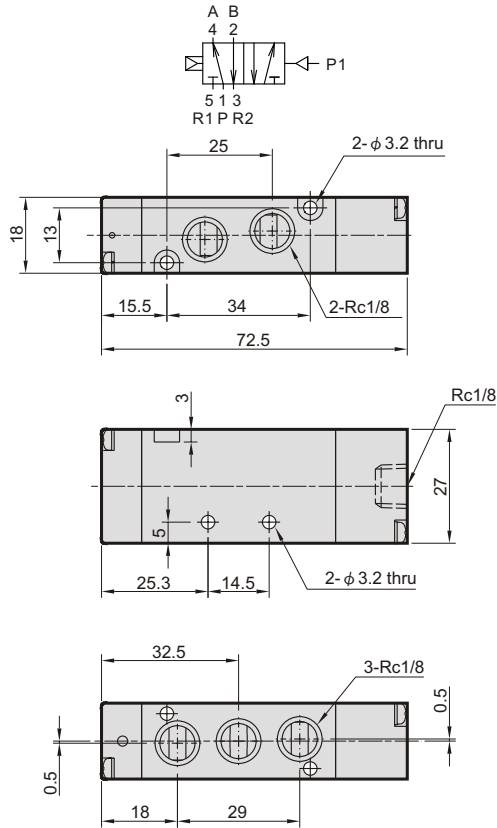


# MVAA-180 Dimensions

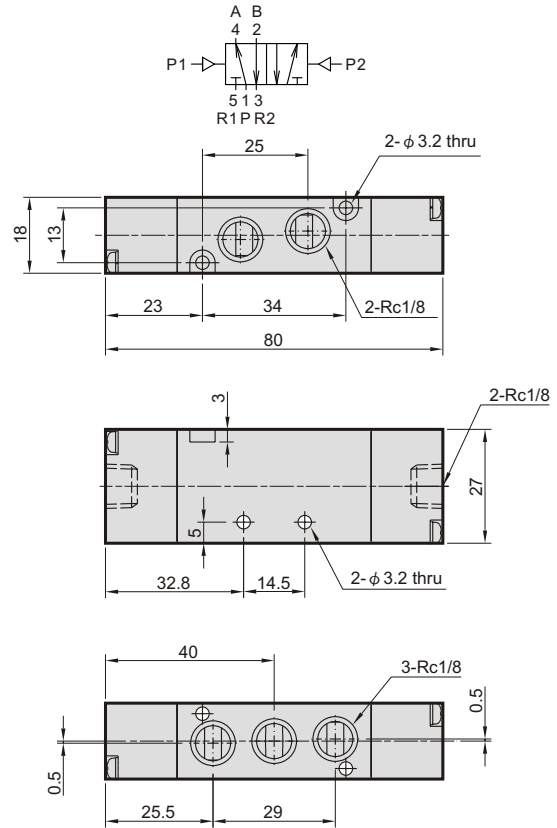
PILOT VALVE



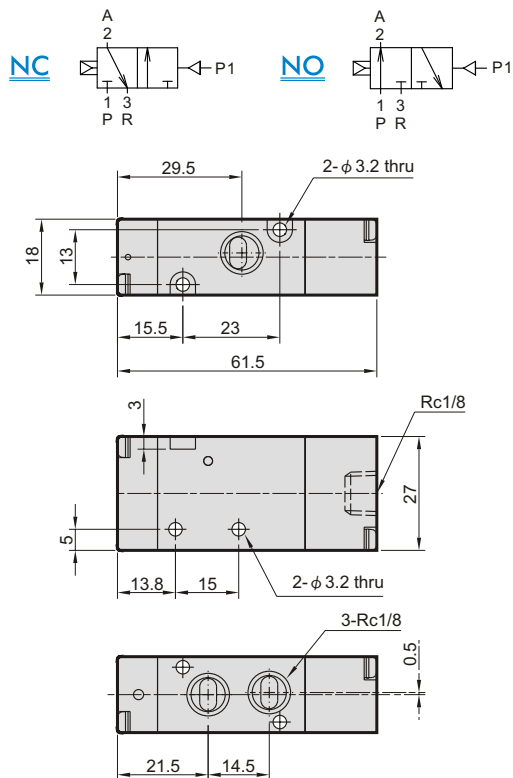
## MVAA-180-4A1



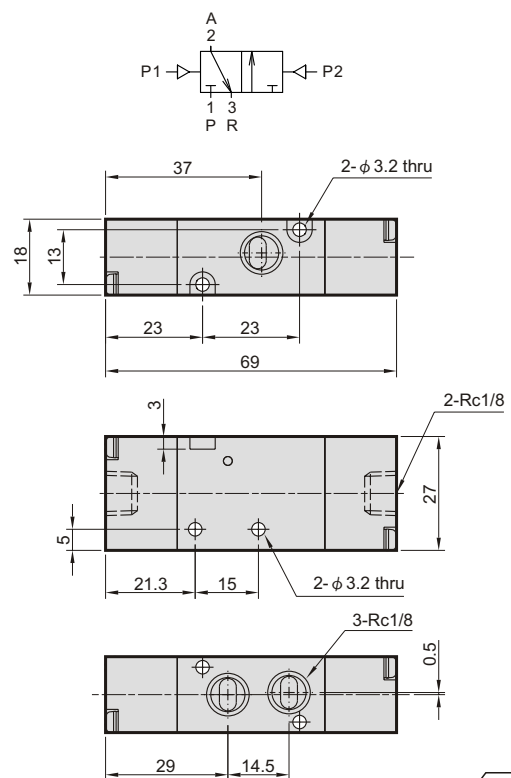
## MVAA-180-4A2



## MVAA-180-3A1-NC/NO



## MVAA-180-3A2



Mindman