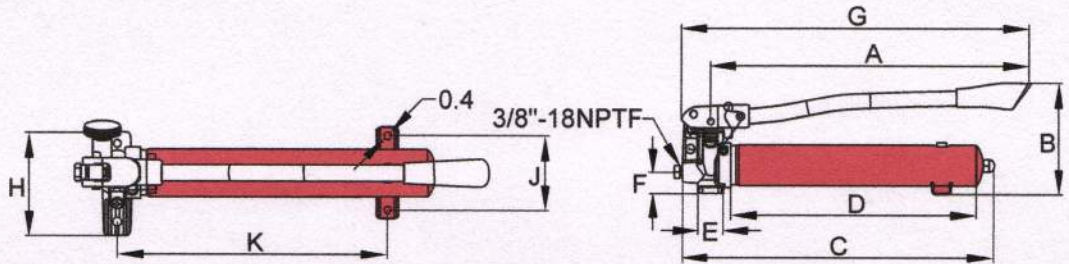
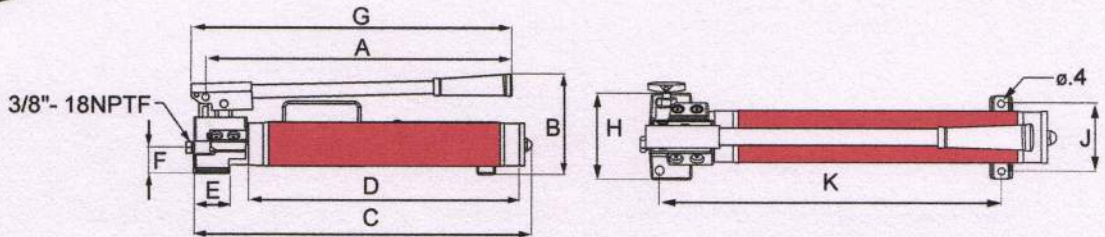


SINGLE SPEED METAL HAND PUMPS

- All metal reservoirs resist cracks and leaks
- Internal pressure relief valve for overload protection
- Wireless option for pumps
- Solid metal valve release knob


P601S

P1201S


Used with Cylinder	Pump Type	Usable Oil Capacity (in ³)	Model Number	Pressure Rating (psi)	Oil Displacement per Stroke	Max. Operating Force (lbs)	Piston Stroke (in)	Oil Outlet Port	Weight (lbs)
Single Acting	Single Speed	36.5	P601S	10,000	0.15	109	0.79	3/8"-18NPTF	13.0
		67.0	P1201S	10,000	0.13	89	0.82	3/8"-18NPTF	20.0

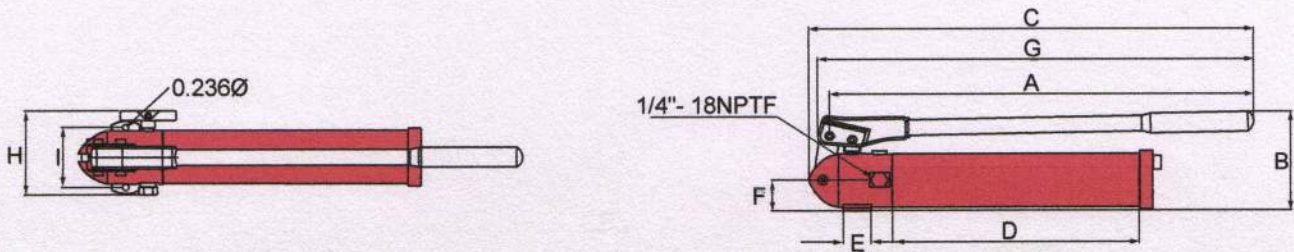
Model Number	Dimensions (in)									
	A	B	C	D	E	F	G	H	J	K
P601S	18.94	6.46	19.53	15.35	1.57	1.26	20.79	5.20	3.74	14.45
P1201S	21.73	6.73	23.07	3.74	1.06	1.73	21.73	5.31	3.74	18.27

LOW PRESSURE HAND PUMP

- Lightweight and portable for use with punch drivers
- Rugged steel pump with chrome handle
- Single speed
- Mounting bracket for easy, permanent mounting
- Maximum working pressure 7,200 psi



P240L

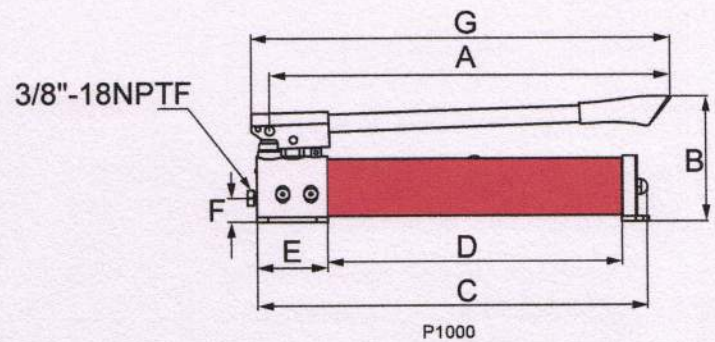
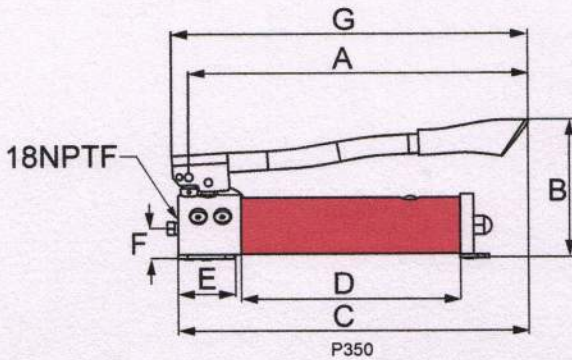
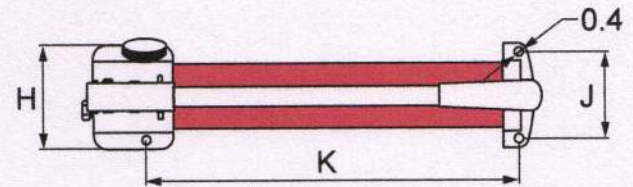
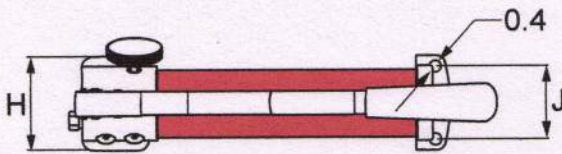


Used with Cylinder	Pump Type	Usable Oil Capacity (in ³)	Model Number	Pressure Rating (psi.)	Oil Displacement per Stroke (in ³)	Max. Operating Force (lbs)	Piston Stroke (in)	Oil Outlet Port	Weight (lbs)
Single Acting	Low Pressure Single Speed	14.7	P240L	7,200	0.09	55.7	0.63	¼" - 18 NPTF	9.02

Model Number	Dimensions (in)								
	A	B	C	D	E	F	G	H	J
P240L	14.80	4.250	15.45	8.675	1.00	12.50	15.250	3.50	2.437

TWO SPEED ALUMINUM HAND PUMPS

- Lightweight aluminum alloy for easy handling
- Two speed operation increases productivity and reduces user fatigue
- Internal pressure relief valve for overload protection
- Wireless option for pumps
- Solid metal valve release knob

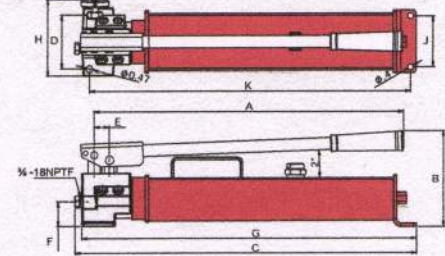


Used with Cylinder	Pump Type	Usable Oil Capacity (in ³)	Model Number	Pressure Rating		Oil Displacement per Stroke		Max. Operating Force (lbs)	Piston Stroke (in)	Oil Outlet Port	Weight (lbs)
				1st Stage (psi)	2nd Stage (psi)	1st Stage (in ³)	2nd Stage (in ³)				
Single Acting	Two Speed	21.4	P350	200	10,000	0.18	0.05	88	0.38	1/4"-18NPTF	6.6
		61.0	P1000	200	10,000	0.81	0.14	99	0.82	3/8"-18NPTF	13.7

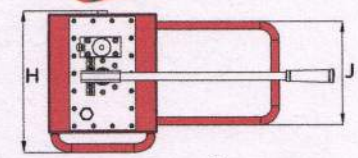
Model Number	Dimensions (in)									
	A	B	C	D	E	F	G	H	J	K
P350	13.43	5.91	13.89	9.09	2.36	1.34	14.13	3.35	2.56	-
P1000	21.77	6.34	23.03	14.96	3.59	1.26	19.96	4.88	3.94	16.93

TWO SPEED METAL HAND PUMPS

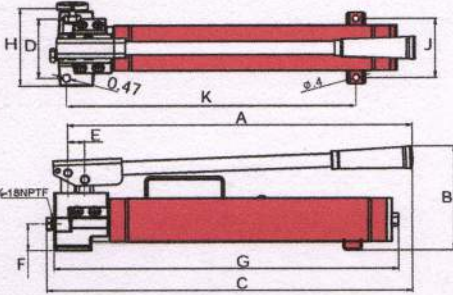
- All metal reservoirs resist cracks and leaks
- Two speed operation increases productivity and reduces user fatigue
- Internal pressure relief valve for over load protection
- Load release valve for single acting cylinder usage
- Large oil capacity to power a wide range of cylinders and tools



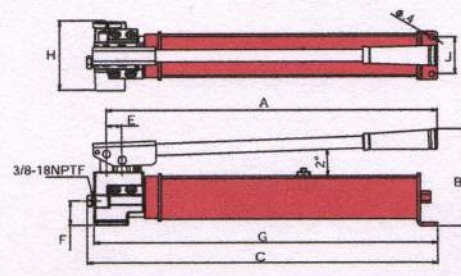
P2301



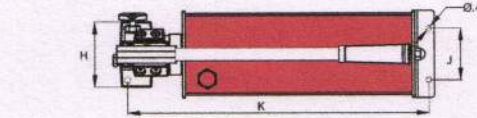
P8701



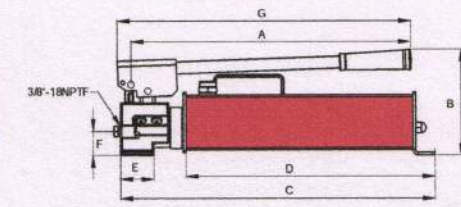
P1201



P2001



P4301

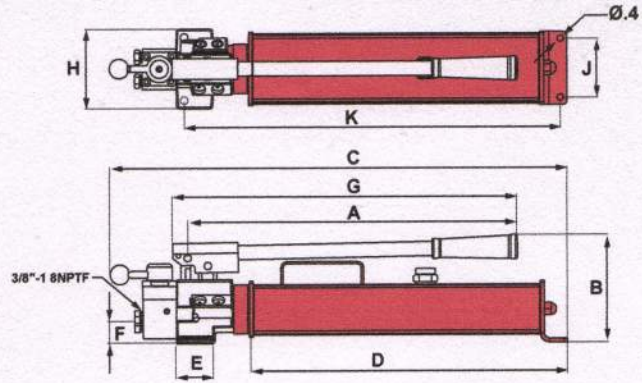


Used with Cylinder	Pump Type	Usable Oil Capacity (in ³)	Model Number	Pressure Rating		Oil Displacement per Stroke		Max. Operating Force (lbs)	Piston Stroke (in)	Oil Outlet Port	Weight (lbs)
				1st Stage (psi)	2nd Stage (psi)	1st Stage (in ³)	2nd Stage (in ³)				
Single Acting	Two Speed	67.0	P1201	200	10,000	0.81	0.14	99	0.82	3/8"-18NPTF	20.5
		122.0	P2001	200	10,000	0.81	0.14	95	0.82	3/8"-18NPTF	24.2
		128.0	P2301	200	10,000	0.81	0.14	99	0.82	3/8"-18NPTF	27.7
		250.0	P4301	200	10,000	0.81	0.14	99	0.82	3/8"-18NPTF	37.6
		476.0	P8701	290	10,000	7.71	0.29	143	1.69	3/8"-18NPTF	76.0

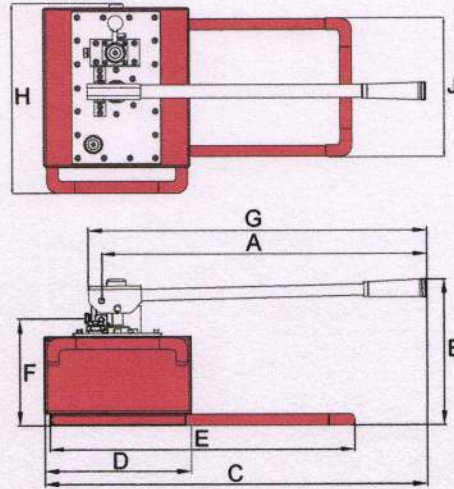
Model Number	Dimensions (in)									
	A	B	C	D	E	F	G	H	J	K
P1201	21.73	6.73	23.07	3.74	1.06	1.73	21.73	4.92	3.74	18.27
P2001	22.91	6.89	24.29	-	1.06	1.73	23.82	4.80	2.56	-
P2301	21.73	6.81	23.98	3.74	1.06	1.73	23.50	5.31	3.54	22.56
P4301	21.73	7.68	22.87	3.74	1.06	1.73	22.40	5.31	3.74	21.46
P8701	25.79	11.61	30.35	11.54	24.17	8.25	26.94	15.24	11.18	-

DOUBLE ACTING HAND PUMPS

- 4-way control valve for operation of double acting cylinders
- Large oil capacities to power a wide range of cylinders and tools
- Two speed operation increases productivity and reduces user fatigue



P2301M



P8701M

Used with Cylinder	Pump Type	Usable Oil Capacity (in ³)	Model Number	Pressure Rating		Oil Displacement per Stroke		Max. Operating Force (lbs)	Piston Stroke (in)	Oil Outlet Port	Weight (lbs)
				1st Stage (psi)	2nd Stage (psi)	1st Stage (in ³)	2nd Stage (in ³)				
Double Acting	Two Speed	128.0	P2301M	200	10,000	0.81	0.14	99	0.82	3/8"-18NPTF	32.3
		476.0	P8701M	290	10,000	7.31	0.29	143	1.67	3/8"-18NPTF	77.4

Model Number	Dimensions (in)									
	A	B	C	D	E	F	G	H	J	K
P2301M	25.45	6.81	27.44	3.74	1.06	25.93	21.73	4.72	3.54	22.56
P8701M	25.79	11.61	30.35	11.54	24.17	8.25	26.94	15.24	11.18	-