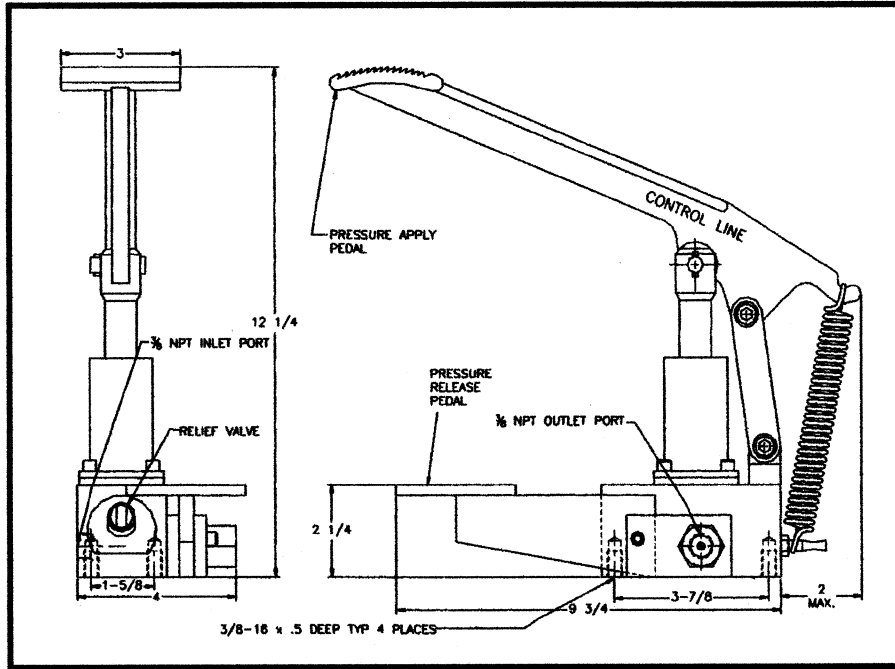


FOOT OPERATED PUMPS

The 60R/65R Series foot operated hydraulic pumps extend the range of operation for those applications where a hand pump is not ergonomic or practical. Any of the single stage pump 1/2" bore and greater or two-stage pump configurations can be incorporated into the foot pump and where necessary a reservoir can be included to complete the package. As standard the foot-operated pump utilizes one pedal to pump and a separate pedal to release pressure. A relief valve is also standard for foot-operated pumps. Displacements are the same as hand operated pumps, pedal forces and maximum rated pressures are shown below.



ORDERING INFORMATION

6 XX - XXXB - FF - XXXX

FOOT PUMP ———— ↑ ↑
 PUMP TYPE ———— ↑ ↑
 RELIEF SETTING ———— ↑
 FOOT OPERATED BOTH PEDALS ———— ↑

PUMP TYPE
 OR = SINGLE STAGE
 5R = TWO-STAGE

PUMP SIZE:
040 = 1/2" 124 = 1-1/2 X 1/2
050 = 5/8" 125 = 1-1/2 X 5/8
060 = 3/4" 126 = 1-1/2 X 3/4
080 = 1"
120 = 1-1/2"

SEALS:
B=BUNA
V=VITON
E=EPR

MODEL NUMBER	MAXIMUM RATED PRESSURE	PISTON DIAMETER	PEDAL FORCE PER 100PSI	WEIGHT
60R-040	5000	1/2	2.8	16
60R-050	2500	5/8	4.4	16
60R-060	1750	3/4	6.4	16
60R-080	1000	1	11.4	16
60R-120	500	1-1/2	25.6	17
65R-124	5000	1-1/2 x 1/2	25.6 x 2.8	17
65R-125	2500	1-1/2 x 5/8	25.6 x 4.4	17
65R-126	1750	1-1/2 x 3/4	25.6 x 11.4	17